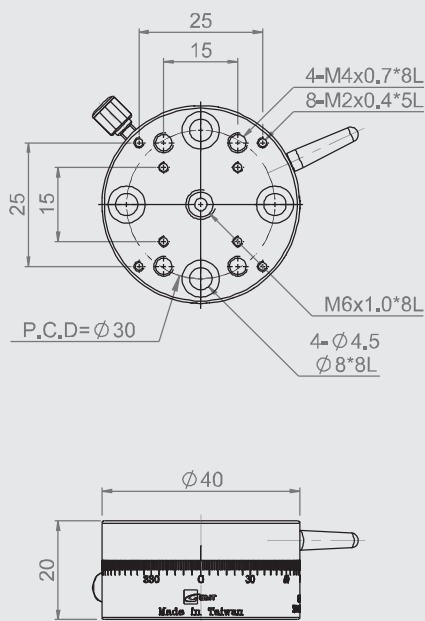


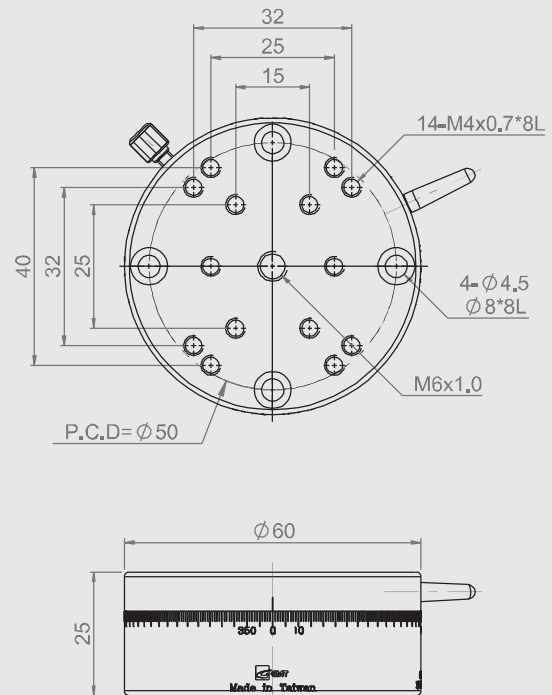


- ★ Combinable with MC1B (P.149) 、 MC2B (P.150) 、 MC4B (P.151) 、 MC1C (P.152)
- ★ MRE-60AL requires ASAP 60°(page 233)

### MRE40-A



### MRE60-A



### Specification

Unit: mm

Model no.	Table size	Travel stroke	Micrometer minimum reading	Offset (Eccentric)	Allowable Loading (kgf)	Weight kg	Material	Surface finish
MRE40-A	$\phi 40$	Cursory 360°	2°	0.05	5	0.14	Aluminum alloy	Black anodized
MRE60-A	$\phi 60$		1°		7	0.2		