

MC4E-60

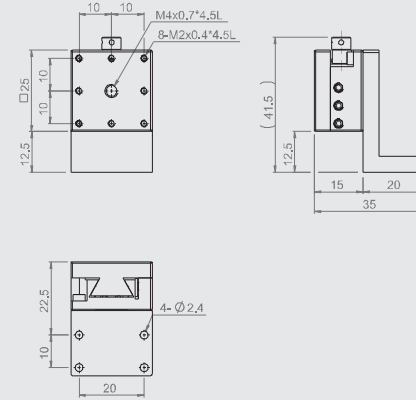


Specification

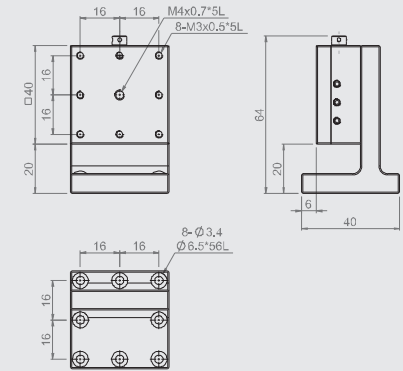
Unit: mm

Model no.	Table size	Axis	Travel stroke	Minimum reading	Straightness	Allowable Loading (kgf)	Weight kg	Material	Surface finish
MC4E-25	25*25	Z-axis	±3	No Scale	30 μm	1	0.08	Brass alloy	Black fluororesin finished
MC4E-40	40*40		±5			1	0.27		
MC4E-60	60*60		±7			2	0.65		

MC4E-25



MC4E-40



MC4E-60

