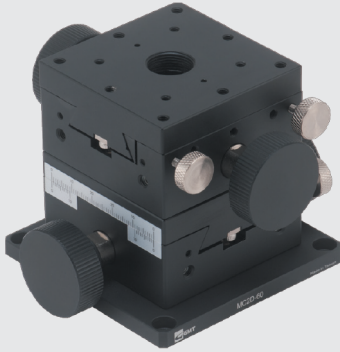
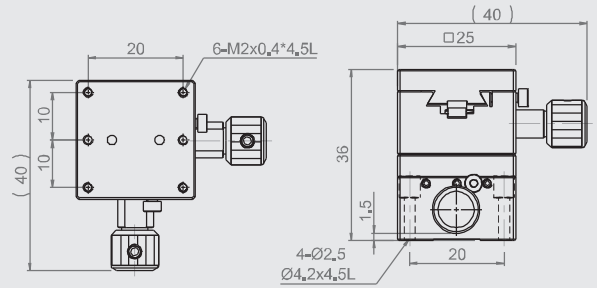


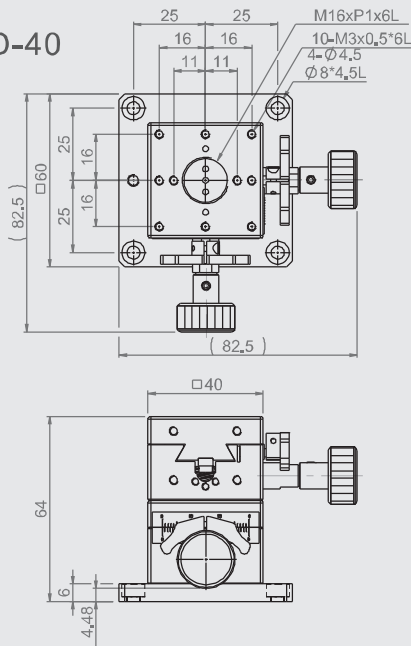
MC2D-60



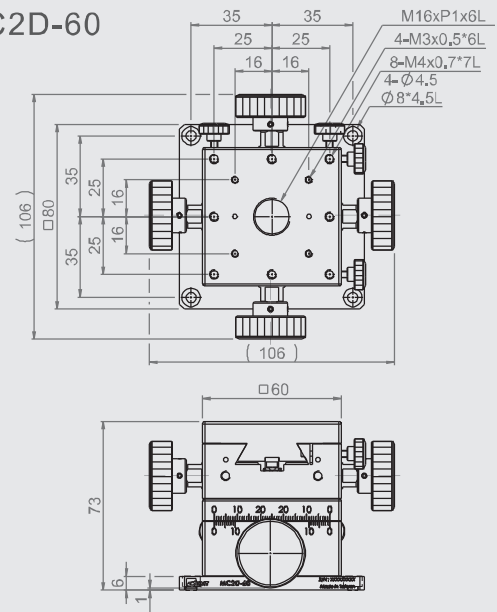
MC2D-25



MC2D-40



MC2D-60



Specification

Unit: mm

Model no.	Table size	Travel stroke	Movement per knob rotation	Minimum reading	Straightness accuracy	Allowable Loading (kgf)	Weight kg	Material	Surface finish
MC2D-25	25*25	±5	17	0.1 mm / Vernier	20 µm	2.9	0.18	Brass alloy	Black fluorescine finished
MC2D-40	40*40	±10	20		20 µm	2.8	0.37	Aluminum alloy	Black anodized
MC2D-60	60*60	±20	18		30 µm	3.0	1.19		