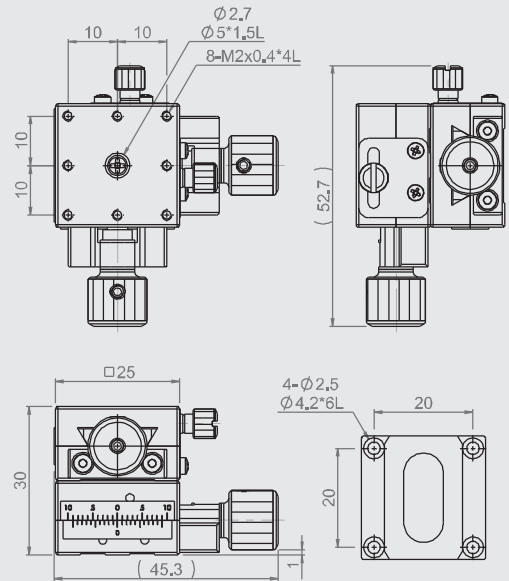


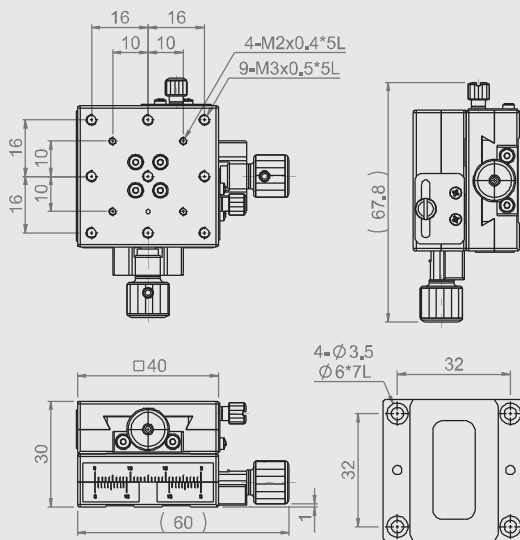
MC2A-60



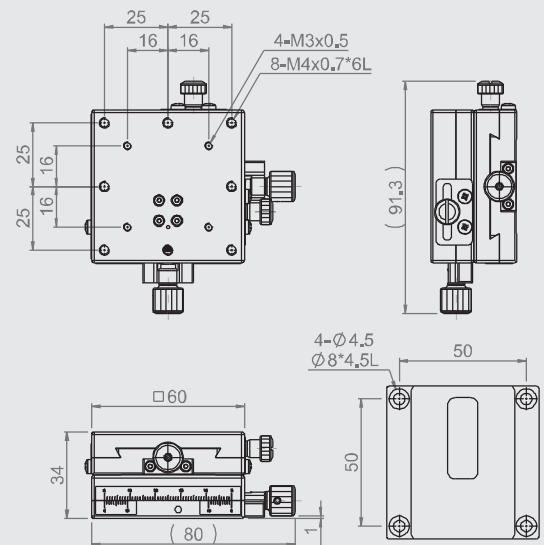
MC2A-25



MC2A-40



MC2A-60



Specification

Unit: mm

Model no.	Table size	Travel stroke	Micrometer minimum reading	Straightness accuracy	Allowable Loading (kgf)	Weight kg	Material	Surface finish
MC2A-25	25*25	±3	0.1 mm / Vernier	30 μm	2.9	0.15	Stage body: Brass Alloy Feeding screw Knob: Aluminum	Black fluororesin finished
MC2A-40	40*40	±7			2.8	0.38		
MC2A-60	60*60	±9			3.4	1.2		

★ A full rotation of the feeding screw knob equals a 0.5mm stroke.