

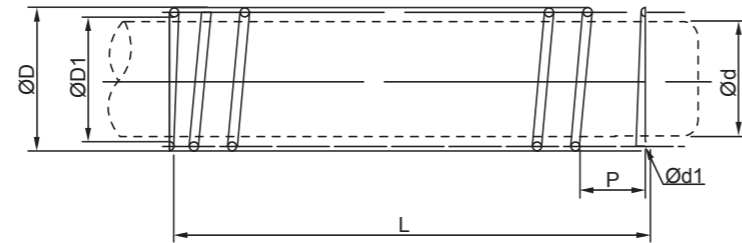
Material	DIN/EN Durethan ISO POM
-----------------	----------------------------

Part Number: AKM

Diameter			Length L	Part Number	
d	d1	d2			
11 / 12	11.3/12.3	16	20	AKM-11	AKM-12
15 / 16	15.3/16.3	20		AKM-15	AKM-16
19 / 20	19.3/20.3	25		AKM-19	AKM-20
24 / 25	24.5/25.5	30	30	AKM-24	AKM-25
30 / 32	30.5/32.5	40		AKM-30	AKM-32
38 / 40	38.5/40.5	50		AKM-38	AKM-40
48 / 50	48.5/50.5	60	40	AKM-48	AKM-50
60 / 63	60.5/63.5	70		AKM-60	AKM-63
80	80.5	90		AKM-80	



Material	DIN 2076 ASTM A228 JIS G3522
-----------------	------------------------------------

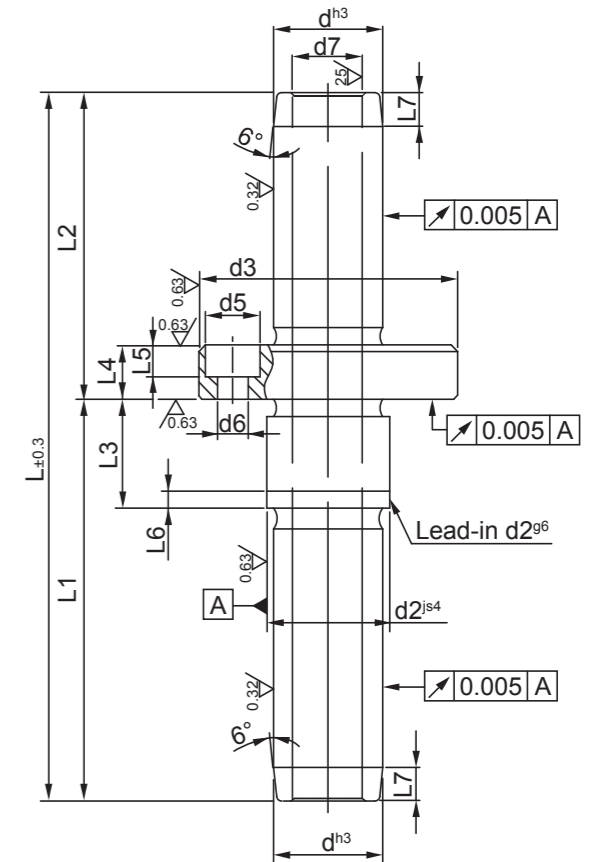
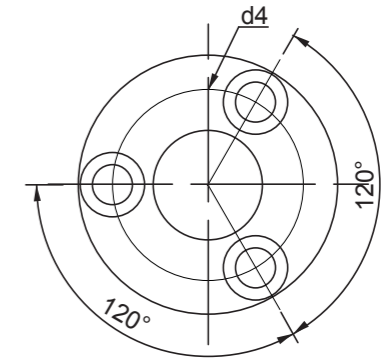


Part Number: SWP

Spring for Guide Post					
Post (d)	d1	D1	D	P	L
11	0.6	11.5	12.7	10	25,30,35,40,45,50,55,60
12		12.5	13.7		25,30,35,40,45,50,55,60
15	0.8	15.5	17.1	12	30,35,40,45,50,55,60,65,70,75,80,85,90
16		16.5	18.1		30,35,40,45,50,55,60,65,70,75,80,85,90
19	0.9	19.5	21.1	14	40,45,50,55,60,65,70,75,80,85,90,95,100
20		20.5	22.3		40,45,50,55,60,65,70,75,80,85,90,95,100
24	1.2	24.5	26.9	14	55,65,75,85,95,105,115,125,135,145,150,200
25		25.5	27.9		55,65,75,85,95,105,115,125,135,145,150,200
30	1.6	30.5	33.7	16	55,65,75,85,95,105,115,125,135,145,150,200
32		32.5	35.7		55,65,75,85,95,105,115,125,135,145,150,200
38	1.8	38.5	42.1	18	65,75,85,95,105,115,125,135,145,150,200,250
40		40.5	44.5		65,75,85,95,105,115,125,135,145,150,200,250
48	2.3	48.5	53.1	23	65,75,85,95,105,115,125,135,145,150,200,250,300
50		50.5	55.1		65,75,85,95,105,115,125,135,145,150,200,250,300
60	2.5	60.5	65.5	25	85,95,105,115,125,135,145,150,200,250,300
63		63.5	68.5		85,95,105,115,125,135,145,150,200,250,300,350
80		80.5	85.5		105,115,125,135,145,150,200,250,300,350,400

Example: SWP-50-200=Diameter 50, Length 200.

Material	Steel DIN 1.2067/1.3505 ISO B1/100Cr6 AISI/SAE 52100 JIS SUJ 2
Hardness	60-64 HRC
Finish	Precision ground
Assembly	Hole bore ISO K5
Cylindrical Tolerance	Ø11 – Ø16: 0.001 Ø19 – Ø25: 0.002 Ø30 – Ø50: 0.003



Sizes																
Diameter							Length							Part Number		
d	d2	d3	d4	d5	d6	d7*	L1	L2	L3	L4	L5	L6	L7	L		
11 / 12	13	28	20	6	3.4	-	50	40	12	6	3.4	3	3	90	PCM-11-090	PCM-12-090
							60	40						100	PCM-11-100	PCM-12-100
							60	50						110	PCM-11-110	PCM-12-110
							60	60						120	PCM-11-120	PCM-12-120
							70	60						130	PCM-11-130	PCM-12-130
15 / 16	18	38	28	8	4.5	-	70	62	16	8	4.6	4	5	132	PCM-15-132	PCM-16-132
							80	62						142	PCM-15-142	PCM-16-142
							90	62						152	PCM-15-152	PCM-16-152
							90	70						160	PCM-15-160	PCM-16-160