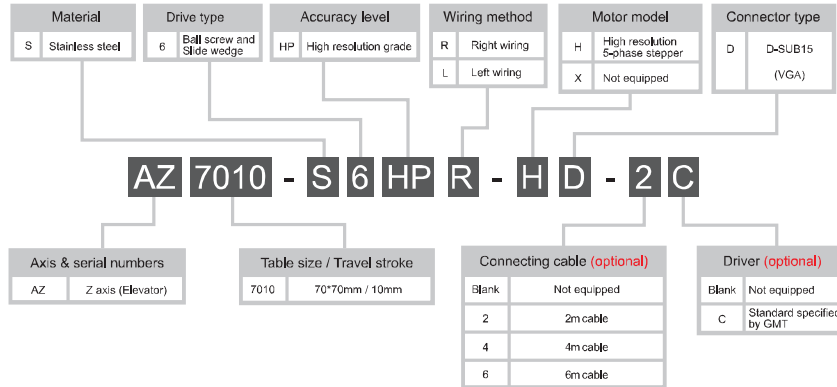


Model description

AZ / HP series



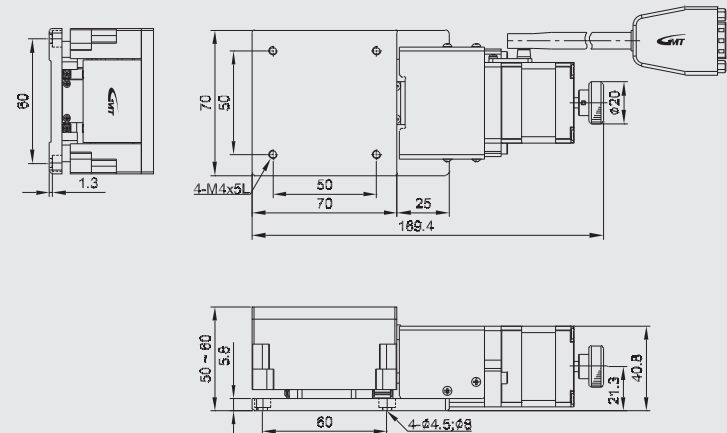
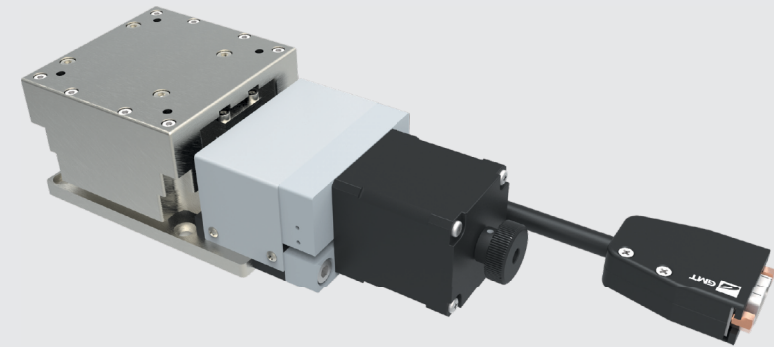
Model Number		AZ7010-S6HPR-HD	
Mechanical specifications	Table size	70X70 mm	
	Travel stroke	10 mm	
	Drive type	Ball screw Ø8 lead 1mm	
	Rail	Crossed-roller guiding	
	Stage material/Surface treatment	Stainless steel / Electroless nickel plating	
	Main unit weight	1.7 Kg	
	Coupling	FAMMS16-5*5	
	Accuracy level	High resolution grade	
	Wiring method	R : Right wiring	
	Precision specifications	Resolution (pulse)	Full / Half 0,5 µm / 0,25 µm
Maximum speed (full step)		5 mm / sec	
Positioning precision		5 µm	
Repeatability precision		±0.5 µm	
Load capacity		10 Kgf	
Missed step		1 µm	
Parallelism		20 µm	
Dynamic straightness		5 µm	
Dynamic parallelism		25 µm	
Electrical specifications		Motor	Type/Shaft numbers 5-phase stepper / □39 double shafts Brand/ Model Sanyo / 103-4507-7010
	Driver brand/Model	Please refer to motor / driver cross-reference table (page E3)	
	Connector	Stage side connector 15-pin male end connector D-SUB Controller side connector 15-pin female end connector D-SUB (optional)	
	Sensor	Origin sensor	Photoelectric sensor EE-SX498
		Limit sensor	
		Origin approximation sensor	N / A
		Power voltage	24V±10%
	Control output	NPN open collector output under 24V 8mA	
	Output control	Testing (sensing) : output transistor OFF (closed)	

* GMT motorized stage is equipped with D-SUB connector as the standard one which is available to be changed to HRS or NJC on request as per reference stated on P.171
* In case HRS connection cable is required, please consult to your regional sales.

Z axis

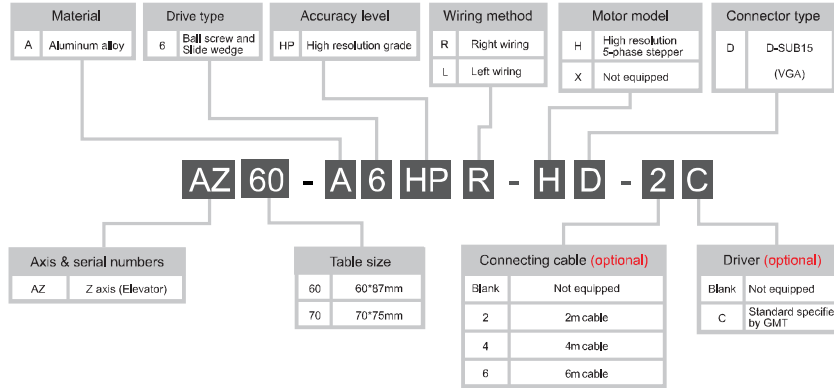


AZ7010-S6HPR-HD



Model description

AZ / HP series



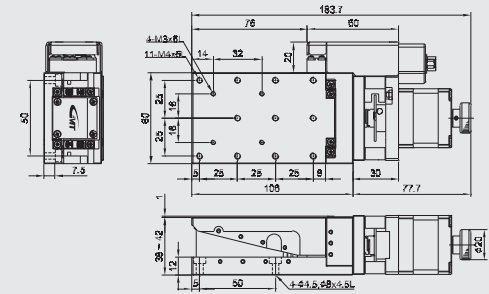
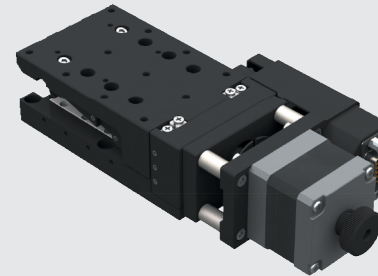
Model Number		AZ60-A6HPR-HD	AZ70-A6HPR-HD	
Mechanical specifications	Table size	60X87 mm	70X75 mm	
	Travel stroke	4 mm		
	Drive type	Ball screw Ø8 lead 1mm, slide wedge		
	Rail	Crossed-roller guiding		
	Stage material/Surface treatment	Aluminum alloy / Black anodized		
	Main unit weight	1.08 Kg	1.09 Kg	
	Coupling	FAMS12-5*5		
	Accuracy level	High resolution grade		
	Wiring method	R : Right wiring		
	Precision specifications	Resolution (pulse)	Full / Half 0,25 µm / 0,125 µm	
Maximum speed (full step)		2,5 mm / sec		
Positioning precision		5 µm		
Repeatability precision		±0,5 µm		
Load capacity		8 Kgf		
Missed step		1 µm		
Parallelism		30 µm		
Dynamic straightness		5 µm		
Dynamic parallelism		20 µm		
Electrical specifications		Motor	Type/Shaft numbers Brand/ Model 5-phase stepper / □39 double shafts Sanyo / 103-4507-7010	
	Driver brand/Model	Please refer to motor / driver cross-reference table (page E3)		
	Connector	Stage side connector Controller side connector 15-pin male end connector D-SUB 15-pin female end connector D-SUB (optional)		
	Sensor	Origin sensor	Photoelectric sensor EE-SX498	
		Limit sensor	Photoelectric sensor EE-SX912-R	
		Origin approximation sensor	Photoelectric sensor EE-SX912-R	
		Power voltage	24V±10%	
		Control output	NPN open collector output under 24V 8mA	
	Output control	Testing (sensing) : output transistor OFF (closed)		

* GMT motorized stage is equipped with D-SUB connector as the standard one which is available to be changed to HRS or N/C on request as per reference stated on P.171
* In case HRS connection cable is required, please consult to your regional sales.

Z axis



AZ60-A6HPR-HD



AZ70-A6HPR-HD

