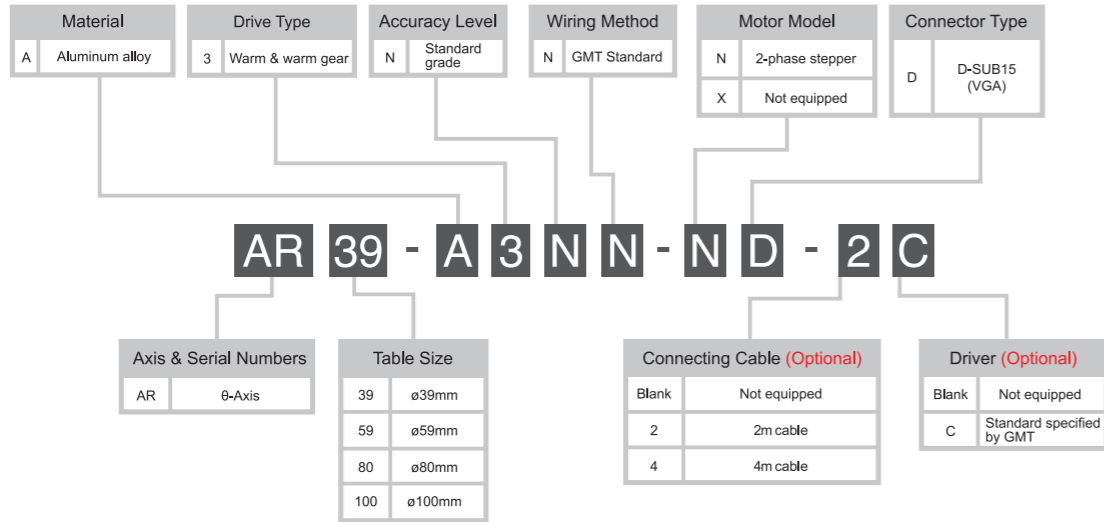


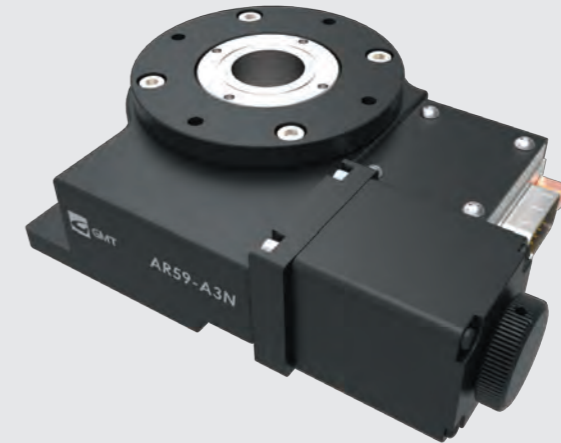
Model Description

AR Series

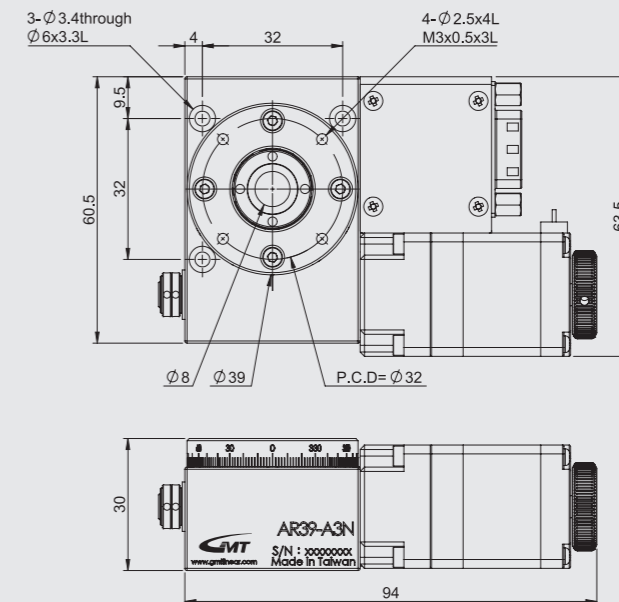


Model No.		AR39-A3NN-ND	AR59-A3NN-ND	AR80-A3NN-ND	AR100-A3NN-ND	
Mechanical Specifications	Table Size	ø39 mm	ø59 mm	ø80 mm	ø100 mm	
	Travel Stroke	360°				
	Drive Type	Warm & warm gear (ratio 1 / 120)	Warm & warm gear (ratio 1 / 180)	Warm & warm gear (ratio 1 / 144)		
	Rail	Deep groove ball bearing			Crossed-roller bearing	
	Stage Material / Surface Treatment	Aluminum alloy / Black anodized				
	Main Unit Weight	0.4 Kg	0.6 Kg	0.8 Kg	1.2 Kg	
	Coupling	FSMMS12-5*6		FSMMS12-5*5	FSMMS12-5*5	
Precision Specifications	Accuracy Level	N : Standard grade N : GMT Standard				
	Resolution (Pulse) Full / Half	0.015° / 0.0075°	0.01° / 0.005°		0.0125° / 0.00625°	
	Maximum Speed (Full Step)	25° / sec	15° / sec		25° / sec	
	Positioning Precision	0.1°				
	Repeatability Precision	±0.05°				
	Load Capacity	4 Kgf			20 Kgf	
	Missed Step	0.1°				
	Parallelism	50 µm				
	Dynamic Straightness	3 µm				
	Dynamic Parallelism	30 µm				
Electrical Specifications	Motor Type / Shaft Numbers	2-phase stepper / □28 double shafts (NEMA11)			2-phase stepper / □35 double shafts (NEMA14)	
	Brand / Model	GMT / 2MS-N28D32A			GMT / 2MS-N35D36A	
	Driver Brand / Model	GMT / GTR22G-D (Additional options)				
	Connector Stage Side Connector	15-pin male end connector D-SUB				
	Controller Side Connector	15-pin female end connector D-SUB (optional)				
	Sensor	Origin Sensor	Photoelectric sensor EE-SX4134			
		Limit Sensor				
		Power Voltage	24V±10%			
Control Output		NPN open collector output under 24V 8mA				
Output Control	Testing (sensing) : output transistor OFF (closed)					

θ-Axis



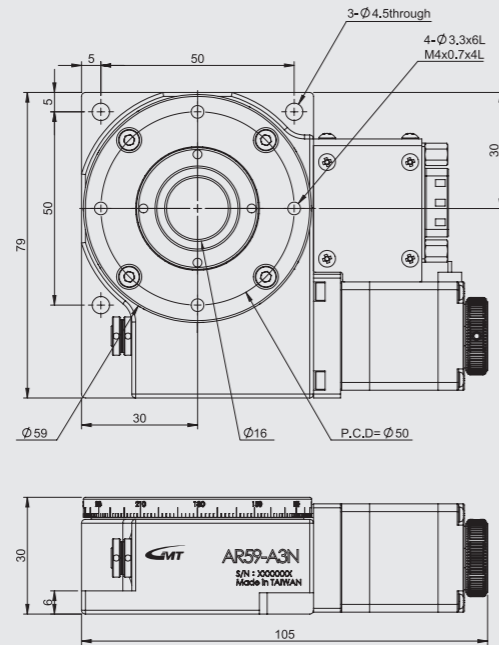
AR39-A3NN-ND



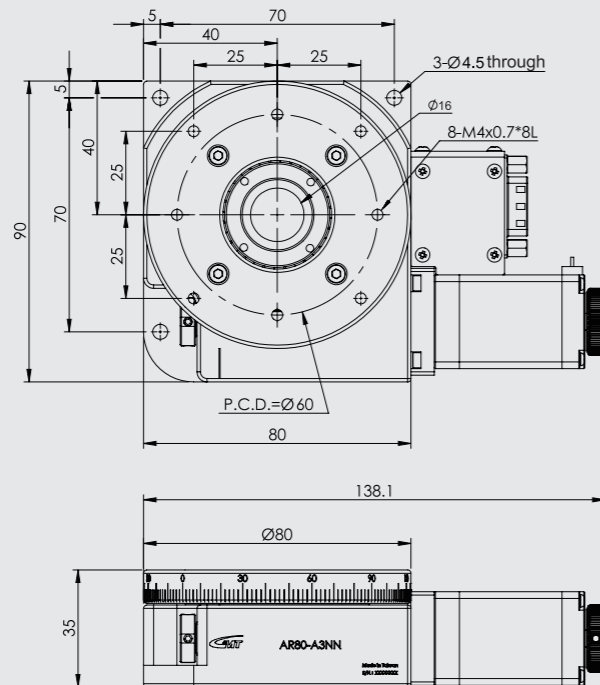
©Photo is AR100-A3NN-ND.

©GMT Standard wiring is defined as the product photo, and not optional available.
 ©GMT Standard Motorized Stage series is equipped with D-SUB connector as the standard one which is available to be changed to HRS or NJC on request as per reference stated on P.0492.
 ©In case HRS connection cable is required, please consult to your regional sales.

AR59-A3NN-ND



AR80-A3NN-ND



AR100-A3NN-ND

