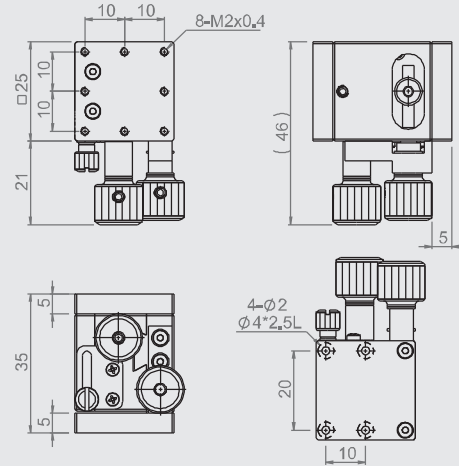


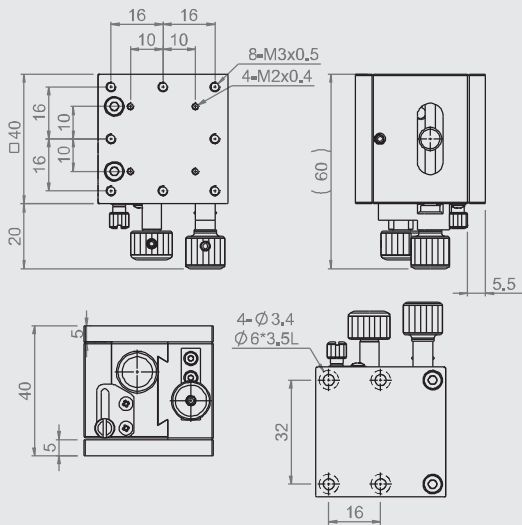
MC5B-40



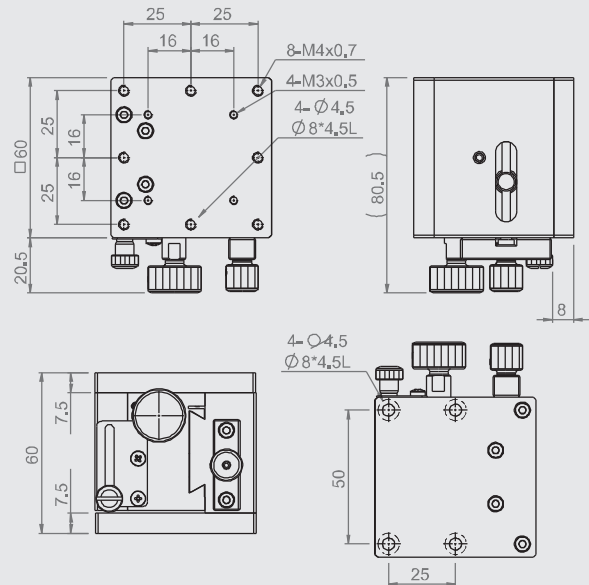
MC5B-25



MC5B-40



MC5B-60



Specification

Unit: mm

Model no.	Table size	Travel stroke	Movement per knob rotation	Straightness accuracy	Allowable Loading (kgf)	Weight kg	Material	Surface finish
MC5B-25	25*25	X: ±5 Z: +10	X: 0.5 Z: ≒ 14	30 μm	1.0	0.17	Brass alloy	Black fluororesin finished
MC5B-40	40*40	X: ±7 Z: +10	X: 0.5 Z: ≒ 14			0.51		
MC5B-60	60*60	X: ±10 Z: +25	X: 0.5 Z: ≒ 20			0.62	Aluminum alloy	Black anodized