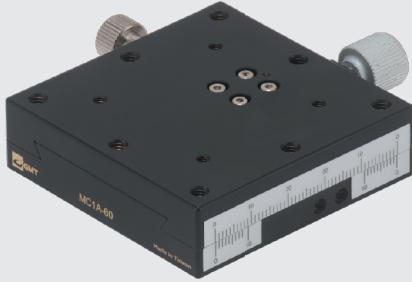
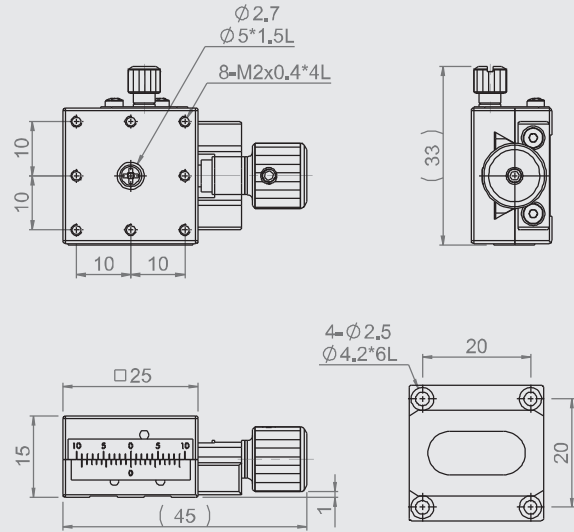


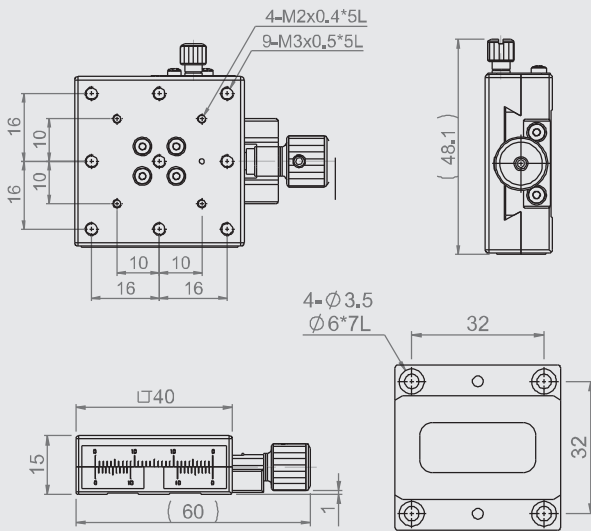
MC1A-60



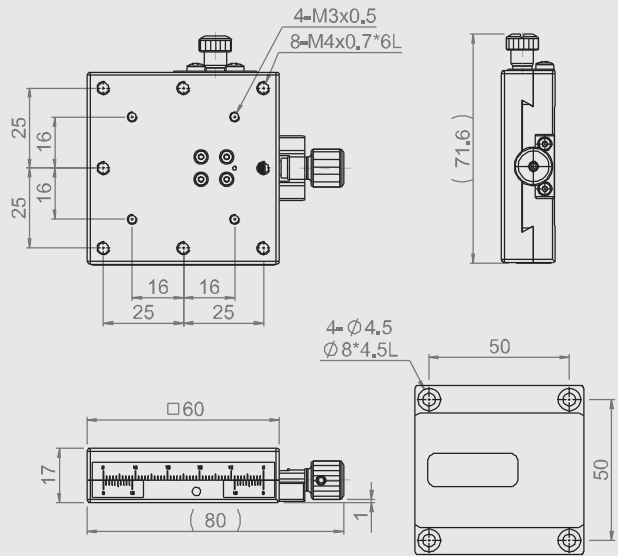
MC1A-25



MC1A-40



MC1A-60



Specification

Unit: mm

Model no.	Table size	Travel stroke	Micrometer minimum reading	Straightness accuracy	Allowable Loading (kgf)	Weight kg	Material	Surface finish
MC1A-25	25*25	±3	0,1 mm / Vernier	30 μ m	3.0	0.07	Stage body: Brass Alloy Feeding screw Knob: Aluminum	Black fluororesin finished
MC1A-40	40*40	±7			3.0	0.19		
MC1A-60	60*60	±9			4.0	0.47		

★ A full rotation of the feeding screw knob equals a 0.5mm stroke.