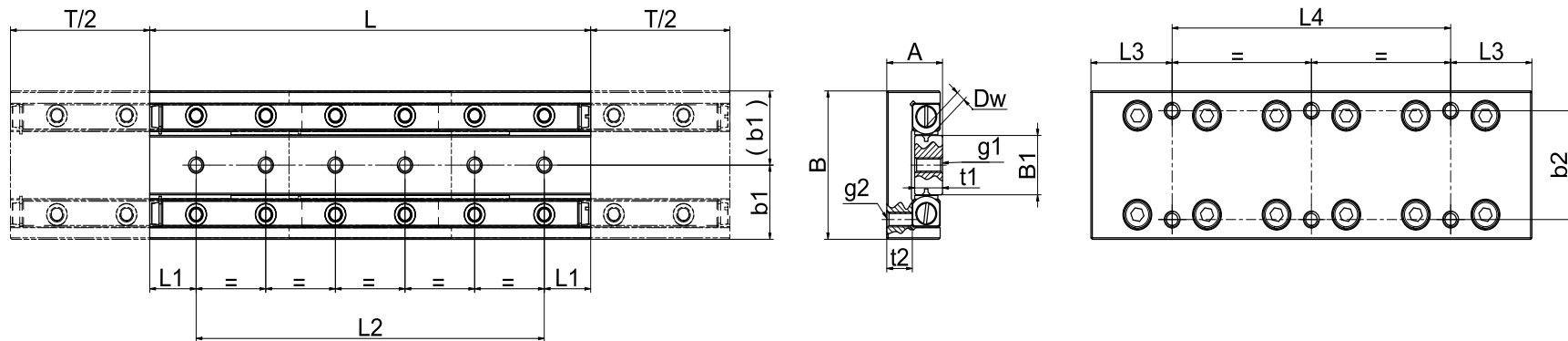


ND - Micro-Rolltische mit Rollen / ND - Micro Precision Linear Slide (Rolls)



Modelcode	A (mm)	B (mm)	B1 (mm)	Dw (mm)	L (mm)	T (mm)	L1 (mm)	L2 (mm)	L3 (mm)	L4 (mm)	b1 (mm)	b2 (mm)	t1 (mm)	t2 (mm)	g1	g2	C (N)	Md (Nm)	MI / Mr (Nm)	Gewicht / weight (Kg)
ND 1-25.12	8	20	7	1.5	25	12	5	2 x 7.5	3.5	1 x 18	10	14	4	3.5	M2.5	M2.5	200	0.80	0.90	0.02
ND 1-35.18					35	18		2 x 10		1 x 28							300	1.20	1.50	0.03
ND 1-45.25					45	25	3 x 10	1 x 20	400	1.60							2.10	0.04		
ND 1-55.32					55	32	4 x 10	1 x 30	550	2.20							3.00	0.05		
ND 2-65.40	12	30	12	12	65	40	10	3 x 15	17.5	1 x 30	15	22	6	5.5	M3	M3	765	5.16	5.44	0.16
ND 2-80.50					80	50		4 x 15		1 x 45							1020	6.89	7.48	0.19
ND 2-95.60					95	60		5 x 15		2 x 30							1190	8.03	8.84	0.24
ND 3-105.60	16	40	15	15	105	60	15	3 x 25	27.5	1 x 50	20	30	8	7.5	M4	M4	1690	13.52	15.60	0.47
ND 3-130.75					130	75		4 x 25		1 x 75							2210	17.68	20.80	0.59
ND 3-155.90					155	90		5 x 25		2 x 50							2730	21.84	26.00	0.70

Optionen

SQ	Spezialqualität / <i>Special Quality</i>
HA	Höhenabgestimmt / <i>Height-matche</i>

OF	Ohne Schmierung / <i>w/o lubrication</i>
-----------	--

Version: JAN2020